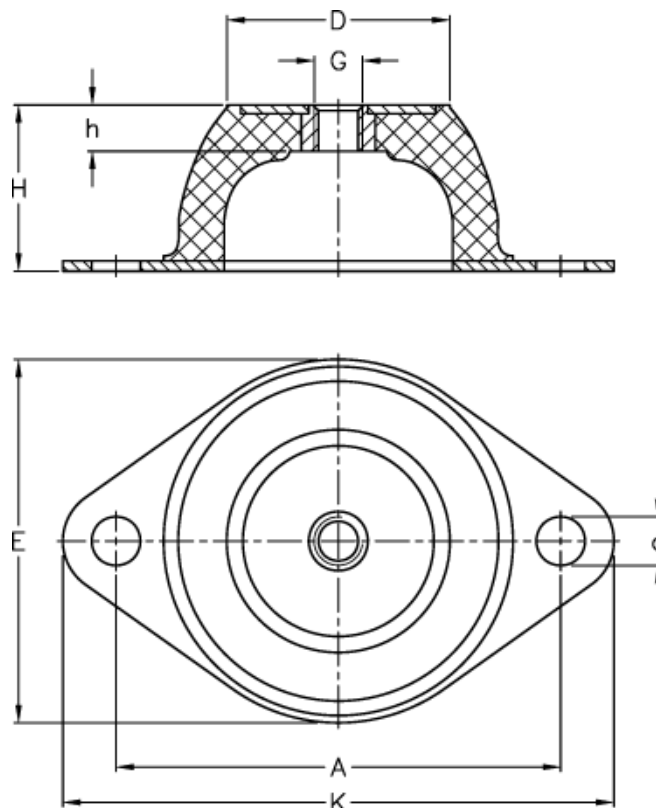


Article number: 51835053070010

Description: Vibration damper VIBR M0007

## Measures



A = 50 | Max. (kg) 40 degrees C = 3.5

D = 18 | Max. (kg) 60 degrees C = 9

d = 7.0

E = 43

G = M6

H = 20

h = 7

K = 64